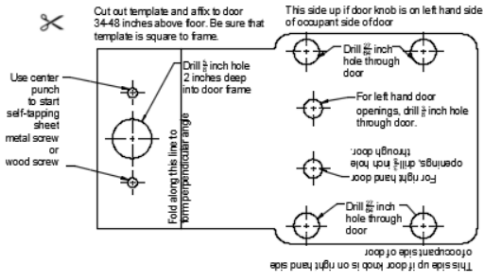
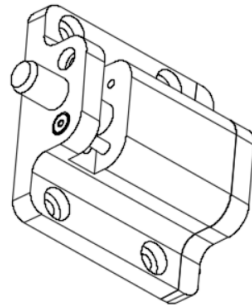


Parts Included:

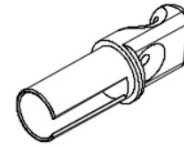
Installation Templates (right and left)



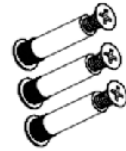
TeacherLock Body



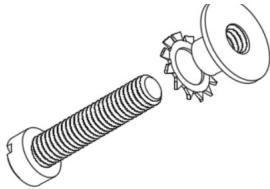
Activator



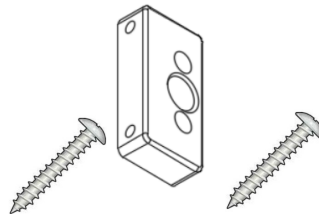
Architectural Sex Bolts



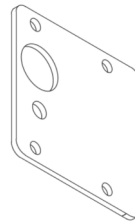
Fillister screw, toothed washer, insert nut



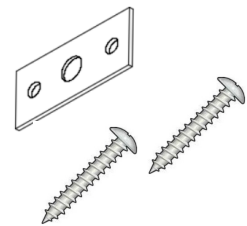
Universal Strike, Mounting screws



Shim Plate



Outside Plate and Screws



Outside door key (not shown for security purposes)

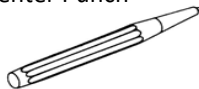


Tools:

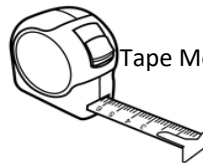
Cordless Drill



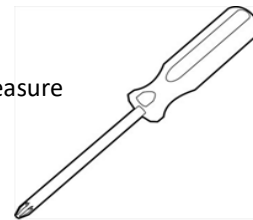
Center Punch



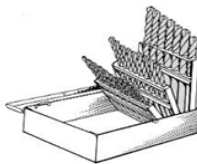
Tape Measure



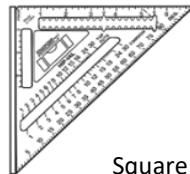
Phillips Head Screw Driver or Bit



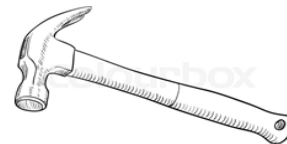
Metal/Wood Drill Bits 3/8"



Square

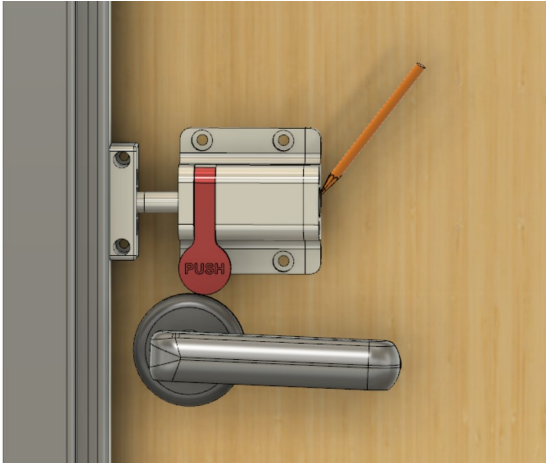


Hammer



*Please note that certain building codes require a single-motion egress. Teacherlock should be mounted directly above the door lever so that the egress button on the TeacherLock device is engaged at the same time the door handle is being grasped. This simultaneous engagement of disengaging the door lock while grasping the door addresses the intent of the single-motion requirement to unlatch the door. The unlatching operation is easily performed in the dark, under stress, without prior knowledge or training, without pinching, firm grasping, or twisting of the wrist. Please note that we offer shim plates at an additional cost if the bolt hole in the frame needs to be further away from the edge where the door closes against the frame. Alternatively, a piece of aluminum plate will work for shimming. Just drill 3/8 inch holes through plate stock similar to the door portion of the template. **FOR IN-SWING INSTALLATIONS, PLEASE SEE IN-SWING INSTRUCTIONS BEFORE DRILLING HOLES!**

STEP 1



(PLEASE SEE IN-SWING INSTRUCTIONS FOR INWARD-SWING DOORS BEFORE DRILLING HOLES IN THE DOOR!)

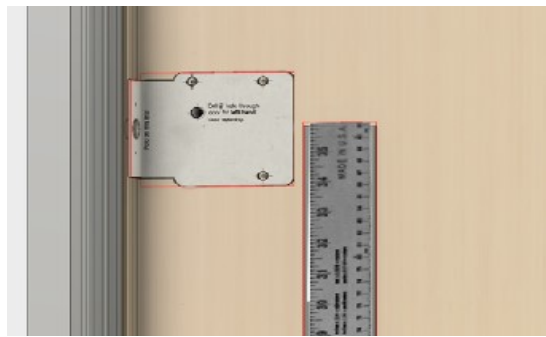
Extend the bolt on the TeacherLock by using the supplied activator. The bolt should be in the extended position. Find a suitable location on the door for the lock.

For ADA Compliance, TeacherLock should be mounted between 34" and 48" inches above floor and directly above door lever so that the red egress lever is in line with the door handle. This makes it a single effort to open the door.

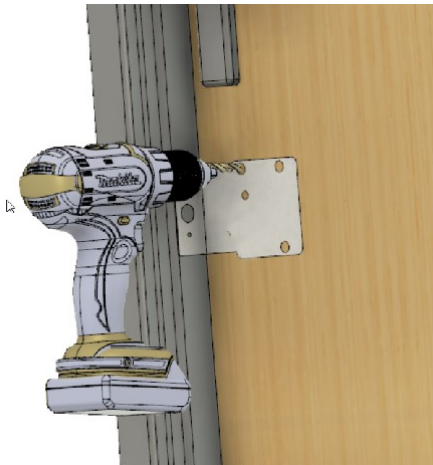
In all cases, Teacherlock should be on the door-handle side of the door. Measure height and mark the location of the holes to be drilled into the door.

Affix template to the door to aid in location of the mounting holes and the outside door key hole.

Please make sure that the template is perpendicular to the door frame.

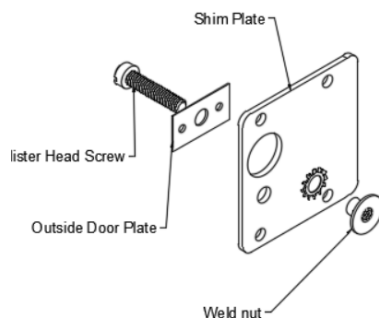
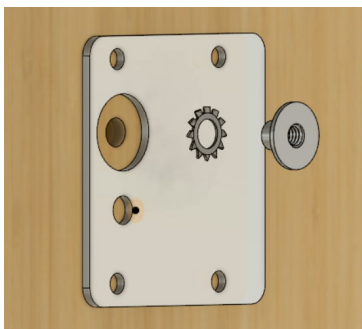


STEP 2 - Drill 4—3/8 inch holes



From the Occupancy side: Drill 4 holes completely through door using 3/8" drill bit. Please take care to drill perpendicular to the door surface. These holes are used for securing the lock to the door using the (3) architectural binding bolts and one outside key hole. A pilot hole is suggested using a 1/8 inch bit. Using a hammer and punch, indicate the four holes. Using a 3/8 inch drill bit, drill a hole for the outside door key, completely through door as indicated on the template. On left-hand door swings, this will be the upper hole as indicated on the template. Swing-In Doors, See – IN-SWING INSTRUCTIONS!

Step 3 —Assemble Fillister Head Screw, Weld Nut, Outside Door Plate and Toothed Lock Washer.



Insert weld nut into toothed lock washer and assemble to door with fillister head screw and outside door plate. Please note that this should be done before assembling TeacherLock to the door.

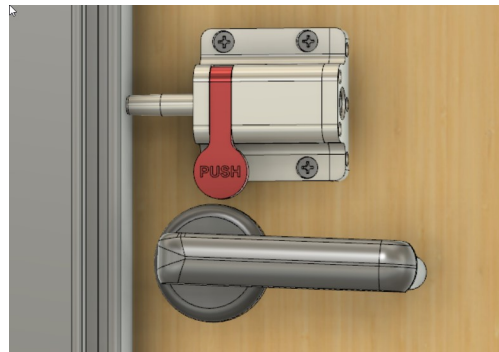
Step 4



Affix the outside key plate with two #8 self drilling screws. A fillister slotted head screw and toothed lock washer weld nut have been provided for inserting into the outside door keyhole. **This screw must be removed for emergency access to the outside keyhole. Life safety codes suggest that no holes are left in a fire door assembly. Holes in listed fire doors must be filled with a steel fastener.**

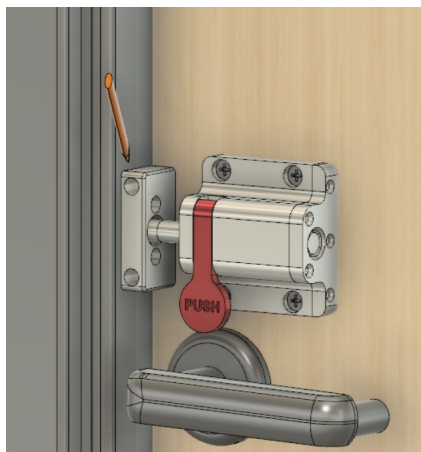
Insert the Slotted Head Fillister screw and fasten to the Insert Nut in step 3. This will hold the insert nut in place while installing the TeacherLock. Insert the barrel portion of the three (3) Architectural Binding Bolts into the 3/8 inch holes from the outside of the door. They may need to be tapped in with a hammer. The knurled end of the Architectural Bolt should fit snugly into door.

Step 5



Insert supplied Shim Plate between door and Body of TeacherLock and mount TeacherLock to the door using supplied fasteners.

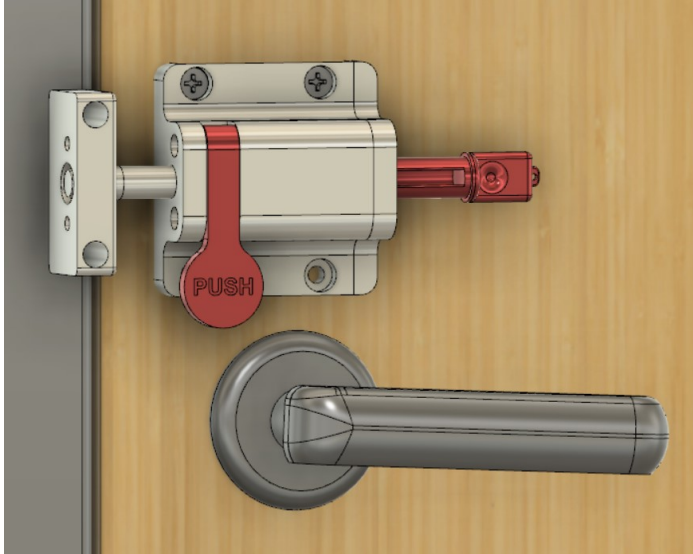
Step 6



Align Universal Strike on door frame with bolt in the extended position. Mark position and attach to frame using supplied hardware. Use two(2) #10 self-drilling screws for metal door frames or 3" wood screws for wood door frame.

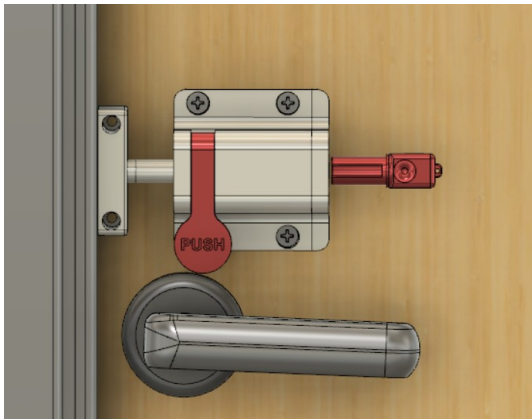
For inwardly swinging doors please see flush mount instructions.

IN-SWING INSTRUCTIONS

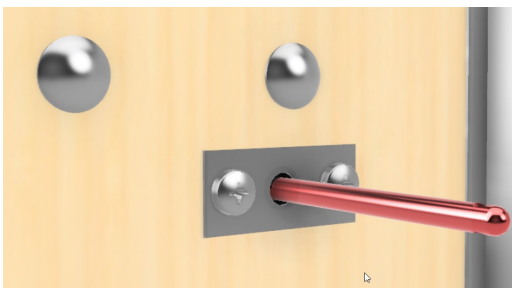


The universal strike block is used for inward and outward swinging doors. The universal strike block may be oriented on the outside of the frame where the frame is in a flush orientation with the door. In this case, the TeacherLock will need to be mounted on the door 1/2 inch closer to the door frame. Please see template for correct orientation. Always perform a fit test before installing screws by extending the bolt into the locked position and orienting the lock and the strike. Use the counter sink holes in the orientation as shown to insert and affix screws to the frame. Use two(2) #10 self drilling screws for metal door frames or 3" wood screws for wood door frame.

STEP 7



Test for smooth functioning. The bolt should not bind up and should ride feely. Adjust as necessary



Test for outdoor key function. The key should slide smoothly through hole and may need to be rotated into the correct position to push against the top of the lever, thereby disengaging the bolt. It is important to make sure that this hole is free of debris.

For technical support, please email: info@teacherlock.com Or call: 978-286-8855

For spare parts or additional keys, please visit our website at: www.teacherlock.com

808 Main Street
Fitchburg, MA 01420

TeacherLock and SaberLock are products of DefCon Products, LLC.
www.saberlock.com
www.teacherlock.com info@teacherlock.com